

ASSAM ELECTRICITY REGULATORY COMMISSION

WHEREAS the Assam Electricity Regulatory Commission have published in the Assam Government Gazette on different dates the following, namely:-

Assam Electricity Regulatory Commission (AERC) (Grid Interactive Solar PV Systems) Regulations, 2015,
(Notification No. : AERC453/2014/40, Dated: 02.05.2015)

A. Assam Electricity Regulatory Commission (Grid Interactive Solar PV Systems) Regulations, 2015 (First Amendment), 2017;
(Notification No. : AERC/608/2017, Dated: 31.07.2017)

- Inserted/ Replaced matter is shown as []^D at appropriate place; wordings inserted/ replaced shown within square brackets;
 - In both of above cases; -^D ; superscript D implies that change is caused by Amendment '4';
-

NOTIFICATION

Dated the 2nd May, 2015

GRID INTERACTIVE SOLAR PV SYSTEMS REGULATIONS, 2015

No. AERC453/2014/40 In exercise of powers conferred under sections 61, 66, 86(I)(e) and 181 of the Electricity Act, 2003 (Act 36 of 2003) and all other powers enabling it in this behalf, and after previous publication, the Assam Electricity Regulatory Commission hereby makes the following regulations for the grid interactive solar photovoltaic (PV) systems.

REGULATIONS

1. SHORT TITLE AND COMMENCEMENT:

- 1.1. These regulations may be called the "Assam Electricity Regulatory Commission (**Grid Interactive Solar PV Systems**) Regulations, 2015.
- 1.2. These regulations shall extend to the whole of the State of Assam.
- 1.3. These regulations shall come into force from the date of their publication in the Assam Gazette.

2. INTRODUCTION:

Under the National Solar Mission launched by the Government of India in the year 2010, the grid connected rooftop and other grid interactive systems have been identified as a large potential area for generating solar power. It is envisaged by the Ministry of New & Renewable Energy (MNRE), Government of India that small quantity of power generated by individual households, industrial set up, commercial building can be used to partly fulfill the electricity requirement of the building occupants and surplus power can be fed into the grid. The MNRE has taken up a numbers of promotional schemes and activities for popularizing and facilitate setting up of grid interactive systems and has placed high priority on the framing

proper Regulatory framework by State Regulatory Commissions to provide an impetus for large scale deployment of grid interactive systems in the country.

3 DEFINITIONS AND INTERPRETATIONS;

3.1 In these regulations, unless the context otherwise requires -

- a) **"Act"** means the Electricity Act, 2003 (36 of 2003) and subsequent amendments thereof;
- b) **"Agreement"** means an agreement entered into by the Distribution licensee and the consumer;
- c) **"Billing cycle or billing period"** means the period for which regular electricity bills as specified by the Commission, are prepared for different categories of consumers by the licensee;
- d) **"Commission"** or **"AERC"** means the Assam Electricity Regulatory Commission constituted under the Act;
- e) **"Consumer"** means any person who is supplied with electricity for his own use by a licensee or the Government or by any other person engaged in the business of supplying electricity to the public under this Act or any other law for the time being in force and includes any person whose premises are, for the time being, connected for the purpose of receiving electricity with the works of a distribution licensee, the Government or such other person, as the case may be;
- f) **"Contracted load"** or **"contract demand"** means the maximum demand in kW, kVA or BHP, agreed to be supplied by the licensee and indicated in the agreement executed' between, the licensee and the consumer;
- g) **"Distribution licensee"** or **"licensee"** means a person granted a license under Section 14 of the Act authorizing him to operate and maintain a distribution system for supplying electricity to the consumers in his area of supply;
- h) **"Electricity Supply Code"** means the AERC (Electricity Supply Code and Related Matters) Regulations, 2004' and subsequent amendments thereof;
- i) **"Eligible consumer"** means a consumer of electricity in the area of supply of the distribution licensee, who uses a grid interactive solar PV system installed in his premises, to offset part or all of the consumer's own electrical requirements, given that such systems can be self-owned or third party owned;
- j) **"Financial year"** or **"year"** means the period beginning from first of April, in an English calendar year and ending with the thirty first of the March of the next year;
- k) **"Grid Interactive System" (GIS)** means a system that connects the power generating plant (commonly Solar) in an electricity consumer's premises to an utility grid, so as to supply excess electricity to the distribution company's grid, after meeting the need of consumer and also to draw electricity from the grid to meet the short fall, when sufficient electricity is not produced by the generating plant, import-export and net energy consumed or injected is measured by 'net metering'.
- l) **"Interconnection Point"** means the interface of the Solar power generating facility with the network of distribution licensees and the interconnection Point' for such facility shall be the outgoing terminals of the meter, if the meter is fixed after the Distribution Licensee's cut-outs/ switchgear in the premises of the Eligible Consumer and the Distribution Licensee's cut-outs/ switchgear, if the meter is fixed before the Distribution Licensee's cut-outs/ switchgear.

Provided that, in the case of consumers being supplied electrical power at the High

Tension (HT) level, the "Interconnection Point" shall mean the interface of the Solar PV system with the outgoing terminals of the Distribution Licensee's metering cubicle placed before such Consumer's apparatus,

- m) **"Invoice"** means either a Monthly Bill / Supplementary Bill or a Monthly Invoice/Supplementary Invoice raised by the distribution licensee
 - n) **"KWp"** means Kilo Watt peak rating of Solar Panel;
 - o) **"Net metering"** means an arrangement under which a grid interactive solar system installed at an eligible consumer's premises delivers surplus electricity, if any, to the Distribution Licensee after meeting his own need. Such injection shall be accounted for off-setting the electricity supplied by distribution licensee during the applicable billing period
 - p) **"Obligated entity"** means the entity mandated under clause (e) of subsection (1) of section 86 of the Act to fulfill the renewable purchase obligation and identified under AERC (Renewable Purchase Obligation and its Compliance) Regulations, 2010';
 - q) **"Premises"** means areas on the land, building or infrastructure or part or combination thereof in respect of which a separate meter or metering arrangements have been made by the licensee for supply of electricity;
 - r) **'Rooftop solar system'** means the solar photo voltaic power system installed on the rooftops of consumer premises that uses sunlight for direct conversion into electricity through photo voltaic technology;
 - s) **"Renewable Energy Certificate (REC)"** means the certificate issued in accordance with the procedures approved by the Central Electricity Regulatory Commission;
 - t) **'Settlement period'** means the period beginning from first of April *in* an English calendar year and ending with the thirty first of the March of the next year;
 - u) **"Tariff order"** in respect of a licensee means the most recent order issued by the Commission for that licensee indicating the rates to be charged by the licensee from various categories of consumers for supply of electrical energy and services.
- 3.2. All other words and expressions used in these Regulations although not specifically defined herein above, but defined in the Act, shall have the meaning assigned to them in the Act, The other words and expressions used herein but not specifically defined in these Regulations or in the Act but defined under any law passed by the Parliament applicable to the electricity industry in the State shall have the meaning assigned to them in such law.

4 SCOPE AND APPLICATION:

- 4.1. These Regulations shall apply to the distribution licensee and consumers of electricity of distribution licensee of the State of Assam.
- 4.2. A Solar Grid Interactive system installed in a premises may be owned by consumer or a 3rd party.
- 4.3. The eligible consumer may install the solar system under net metering arrangement which,
 - a) Shall be within the permissible rated capacity as defined under these Regulations.
 - b) Shall be located in the consumer premises,
 - c) Shall interconnect and operate safely in parallel with the distribution licensee network.

5. GENERAL PRINCIPLES:

The distribution licensee shall offer the provision, of net metering arrangement to the consumer, who intends to install grid connected solar system, in its area of supply on non-discriminatory and first come first serve basis.

6. CAPACITY TARGETS FOR DISTRIBUTION LICENSEE:

6.1 The available capacity of a particular distribution transformer, to be allowed for connectivity under this Regulations, shall not be less than the limits as specified by the Commission from time to time.

6.2 The distribution licensee shall update distribution transformer level capacity available for connecting rooftop solar systems under net metering arrangement on yearly basis and shall provide the information on its website as well as to the Commission.

7. ELIGIBLE CONSUMER, INDIVIDUAL PROJECT CAPACITY AND INTERCONNECTION VOLTAGE:

7.1 All eligible consumers of electricity in the area of supply of the distribution licensee can participate in the grid interactive net metering arrangement.

7.2. The inter-connecting voltage level of the GIS for various capacity ranges shall be as per relevant provision of the AERC (Supply Code and related matters Regulations) 2004.

~~7.3. The aggregate solar panel capacity of Grid interactive system to be installed at any eligible consumer premises shall be between of 1 kWp to 1000 kWp, restricted to 40 % of contract demand of the eligible consumer with the licensee, subject to feasibility of inter connection of the solar system to the grid.~~

^A[¹7.3 *The Solar panel capacity of Grid Interactive Solar System to be Installed at any eligible consumer premises shall be between of 1 kWp to 1000 kWp restricted to*

- *For LT category consumers, the solar panel capacity of any individual consumer will be limited to 80% of the connected load/contract demand wherever interconnection with the grid is technically feasible.*

Provided that the cumulative solar panel capacity of all such LT category consumers connected to a distribution transformer will be limited to 20 % of the peak capacity of the Distribution Transformer.

- *For HT category consumers, the solar panel capacity of any individual consumer will be limited to 80% of the connected load/contract demand wherever interconnection with the grid is technically feasible.*

Provided that the cumulative solar panel capacity of all such HT category consumers connected to a 33/11 K.V Sub-station will be limited to 20 % of the peak capacity of the Sub- station..]^A

7.4 However; there shall be no restriction on state power utilities installing bigger

¹ Modified clause 7.3 of Regulation 7, vide First amendment, 2017

plants, subject to their compatibility with the system and necessary safety measures taken.

8. INTERCONNECTION WITH THE GRID SPECIFICATIONS, STANDARDS AND SAFETY REQUIREMENTS:

- (1) The distribution licensee shall ensure that-
 - a. The interconnection of the solar energy system with the distribution system of the licensee conforms to the specifications and standards as provided in the Central Electricity Authority (Technical Standards for connectivity of the Distributed Generation Resources) Regulations, 2013, as amended from time to time;
 - b. The interconnection of the solar energy system with the distribution system of the licensee conforms to the relevant provisions of the Central Electricity Authority (Measures relating to Safety and Electric Supply), Regulations, 2010, as amended from time to time;
 - c. The net meter and solar meter installed conforms to the standards, specifications and accuracy class as provided in the Central Electricity Authority (Installation and Operation of Meters) Regulations, 2006, as amended from time to time and are installed in such a way that they are accessible for reading.
- (2) The licensee shall, while ascertaining the feasibility and eligibility of interconnecting a Grid Interactive system of a consumer will duly consider conformity of the above mention requirement.

The supplier will inform the eligible consumer the specifications and such other details of the components including the meter and the protective devices required to be installed along with the solar energy system.

- (3) The licensee shall, also provide in advance to an interested prospective eligible consumer a copy of the "Net Metering Connecting Agreement* finalized by the licensee based on the 'Draft Net Metering Connecting Agreement' annexed as Annexure HI of these Regulations, where 'technical, interconnecting, safety other requirements" to be fulfill by the consumer in respect of setting up of such system are incorporated.
- (4) The eligible consumer is to obtain the necessary clearance/approval for commissioning a Grid Interactive system, from the State Electrical Inspectorate, depending on size of solar generator and voltage of supply as required under Regulation 32 and Regulation 43 respectively of the Central Electricity Authority (Measures related to safety and electric supply regulations) 2010, read with connected notification of the State Government",

9 ENERGY ACCOUNTING AND SETTLEMENT:

- 9.1 For each billing period [Regulation 3.1 (c)] the licensee shall give the consumer a statement of accounts of electricity showing the following particulars, along with the electricity bill -
 - (i) Quantum of banked electricity carried forward from the previous billing period;
 - (ii) Quantum of electricity injected into the distribution system by the

eligible consumer;

(iii) Quantum of electricity supplied by distribution licensee to the eligible consumer:

(iv) Quantum of net electricity which has been billed for payment to the eligible Consumer;

Provided that in the event the electricity injected exceeds the electricity consumed during the billing period, such excess injected electricity shall be carried forward to next billing period as electricity credit and may be utilized to net electricity injected or consumed in future billing periods;

Provided further that in the event the electricity supplied by the distribution licensee during any billing period exceeds the electricity generated by the eligible consumer's solar system, the distribution licensee shall submit a bill for the net electricity consumption after taking into account any electricity credit balance remaining from previous billing periods;

Provided also that the excess electricity measured in kilo-watt hour may only be utilized to offset the consumption measured in kilo-watt hour and may not be utilized to compensate any other fee and charges imposed by the distribution licensee as per the instructions of the Commission.

Provided also that the distribution licensee in addition to electricity tariff shall be eligible to raise invoice for any other charges as allowed by the Commission,

- 9.2 At the end of the 'settlement period' [Regulation 3.1 (t)], in case there is excess electricity injection by the eligible consumer to the licensee, the licensee shall pay for the same at the average pooled purchase cost of electricity as approved by the Commission for that year.

Provided also that at the beginning of each settlement period, cumulative carried over injected electricity will be reset to zero.

- 9.3 in case of any dispute in billing it would be settled as per provision of the AERC 'Guidelines for Redressal of consumer Grievances'2003.

10 SOLAR RENEWABLE PURCHASE OBLIGATION (RPO):

- (i) The quantum of electricity generated from the solar energy system of an eligible consumer and consumed by him, shall qualify for accounting towards the Renewable Purchase Obligation (RPO) of such eligible consumer if he is an obligated entity under Assam Electricity Regulatory Commission (Renewable Purchase Obligation and its Compliance) Regulation, 2010.
- (ii) The quantum of electricity generated from the solar energy system of an eligible consumer, shall qualify for accounting towards the Renewable Purchase Obligation (RPO) of the distribution licensee, *if* the eligible consumer is not an obligated entity under Assam State Electricity Regulatory Commission (Renewable Purchase Obligation and its Compliance) Regulation, 2010.

11. ELIGIBILITY TO PARTICIPATE UNDER RENEWABLE ENERGY CERTIFICATE MECHANISM:

An eligible consumer shall be able to participate in. the REC mechanism and the issuance of renewable energy certificate shall be as per the eligibility criteria specified under Central Electricity Regulatory Commission (Terms and

Conditions for recognition and issuance of Renewable Energy Certificate for Renewable Energy Generation) Regulations, 2010 and subsequent amendments thereof.

12. WHEELING AND OPEN ACCESS:

The grid solar system under net metering arrangement, whether self-owned or third party owned installed on eligible consumer premises, shall be exempted from wheeling and cross subsidy surcharges when open access is allowed to the concerned entity.

12. TARIFF FOR GISPP:

The Commission may determine suitable tariffs for GISPP (separate Tariff for Projects with and without capital subsidy) as per guidelines provided by the M'NRE, Government of India and provisions in the connected Regulations of the Commission.

~~^{A2}13. APPLICABILITY OF OTHER CHARGES:~~

~~The grid solar system under net metering arrangement, whether self-owned or third party owned installed on eligible consumer's premises, shall be exempted from wheeling and cross subsidy surcharges when open access is allowed to the concerned entity.]^A~~

14. METERING ARRANGEMENT:

- 14.1. Net meter shall be installed at the interconnection points of the eligible consumers with the network of the distribution licensee.
- 14.2. Solar meter shall be installed at the delivery point of the solar energy system to measure the total solar electricity generated.
- 14.3. The net meters shall be of accuracy class 1.0 or better or as per the specifications notified by the competent authority. The solar meters shall be of 0.2s class accuracy and with facility for recording meter readings using
- 14.4. The solar meter and net meter shall preferably have the facility for downloading meter readings using meter reading instrument (MRI) or wireless equipment or such other devices.
- 14.5. Check meter shall be installed for the solar energy system having capacity more than 20KWp and for the solar energy system of capacity less than or equal to 20 KWp, the check meter would be optional.
- ~~14.6. Supply and installation of meters, action on defective meter, and other matters related to meters shall be as per provisions of Regulation 4.2.1 of the AERC (Electricity Supply Code and Related Matters Regulations), 2004 as applicable,~~

~~^{A3} Supply and installation of meters, action on defective meters, and other matters related to meters shall be as per provision of Regulation 4.2.1 of the AERC (Electricity Supply Code and Related Matters) Regulations, 2004 as amended from time to time.]^A~~

² Omitted Regulation 13, vide First amendment (A), 2017

³ Modified clause 14.6 of Regulation 14, vide First amendment (A), 2017

- 14.7. The meters shall be tested, installed and sealed in accordance with the provisions of Central Electricity Authority (Installation and Operation of Meters) Regulations, 2006, as amended from time to time.
- 14.8. The meters installed shall be jointly inspected and sealed on behalf of both the parties and shall be tested and installed only in the presence of the representatives of the consumer and the distribution licensee;
- 14.9. The meter reading taken by the distribution licensee shall form the basis of commercial settlement and a copy of the meter reading statement of the net meter and solar meter shall be handed over to the consumer as soon as meter reading is taken.

15. CONNECTION OF METERS AND PROTECTIVE DEVICES:

Two diagrams showing metering and other connecting arrangement of a grid interactive systems without and with battery backup are provided in Annexure J & Annexure II respectively.

The diagrams are indicative and subject to modification/ to suit site conditions to resolve any technical and commercial difficulty at site. But the safety requirements like provision of 'islanding' in case of grid failure and isolation of battery power supply when grid is connected should have to be incorporated and such diagram of actual installation indicating all components shall be conspicuously displayed in a SPY plant.

16. **AGREEMENT:** An agreement will be signed between the eligible consumers and DISCOM regarding setting up of the system and net metering. A model draft Agreement format annexed as Annexure III.

17. OVERRIDING EFFECT:

Notwithstanding anything contained in the contrary —

- (a) In the AERC (Co-generation and Generation of Electricity from Renewable Sources of Energy) Regulations, 2015 and
- (b) In the (Terms and Conditions for Determination of Tariff from Renewable Energy Sources) Regulations, 2012 and
- (c) In the AERC (Renewable Purchase Obligation and its Compliance) Regulations, 2010 and
- (d) In the AERC (Electricity Supply Code and Related Matters) Regulations, 2004,

framed by the Commission under section 181 of the Electricity Act, 2003, these Regulations will have overriding effect in respect of 'Grid interactive Solar PV Systems' .

18. POWER TO REMOVE DIFFICULTIES:

If any difficulty arises in giving effect to any of the provisions of these regulations, the Commission may, either suo motu or on an application made to it, by general or special order, direct the licensee/ generator or any other person to take suitable

action, not being inconsistent with the Act, which appears to the Commission to be necessary or expedient for the purpose of removing the difficulty.

19. ISSUE OF ORDERS AND DIRECTIONS:

Subject to the provisions-of the Act and these regulations, the Commission may, from time to time, issue orders and practice directions with regard to the implementation of these regulations and procedure to be followed for such implementation and matters incidental or ancillary thereto.

20. POWER TO RELAX:

The Commission may by general or special order, for reasons to be recorded in writing, and after giving an opportunity of hearing to the parties likely to be affected may relax any of the provisions of these Regulations on its own motion or on an application made before it by an interested

21. POWER TO AMEND:

The Commission may from time to time add, vary, alter, suspend, modify, amend or repeal any provisions of these Regulations.

22. SAVING OF INHERENT POWERS OF THE COMMISSION:

Nothing contained in these Regulations shall limit or otherwise affect the inherent powers of the Commission to adopt a procedure, which is at variance with any of the provisions of these regulations, if the Commission, in view of the special circumstances of the matter or class of matters and for reasons to be recorded in writing, deems it necessary or expedient to depart from the procedure specified in these regulations.

23. INTERPRETATION:

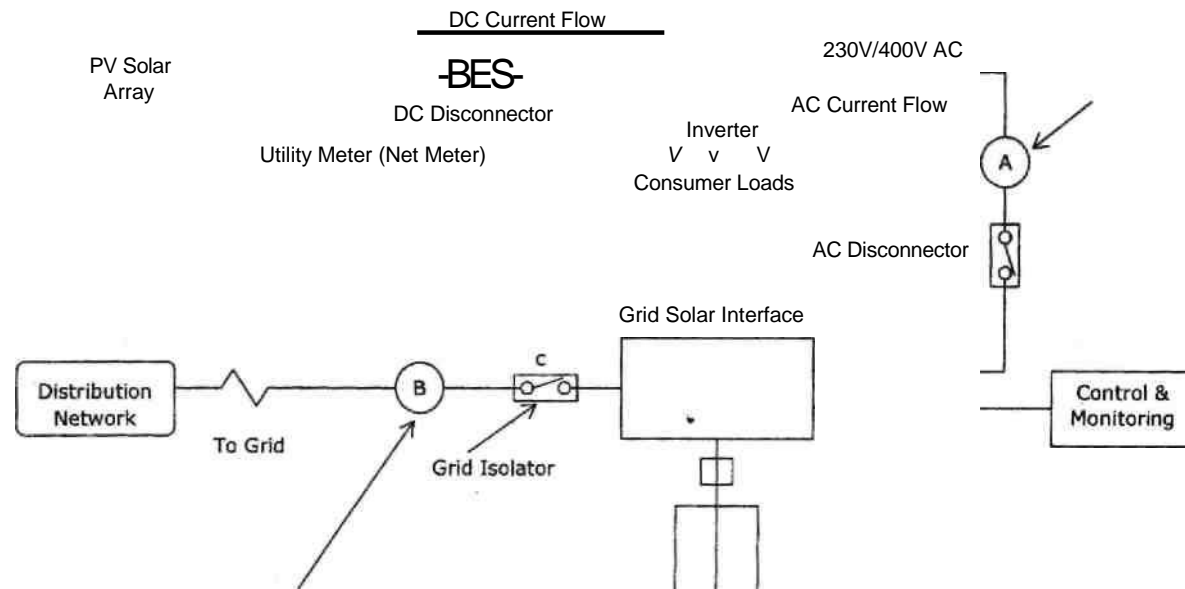
All issues arising in relation to interpretation of these regulations shall be determined by the Commission and the decision of the Commission on such issues shall be final

(By order of the Commission)

S.K.ROY,
Secretary,
Assam Electricity Regulatory Commission.

Grid Interactive Solar PV connection configuration (with two meters) System without Battery Backup

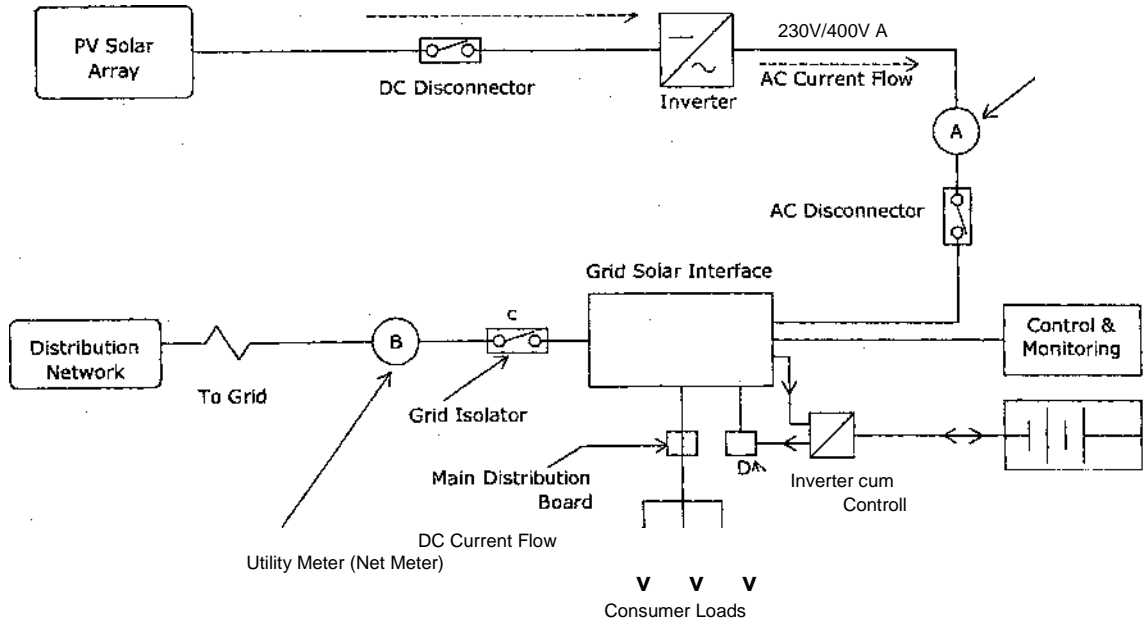
- (A) Solar Meter (unidirectional)
- (B) Supplier's **Net Meter** (Bi-directional)



Note: Provision will be kept for Disconnection of Grid by isolating device 'C' when Grid fails

Grid Interactive Solar PV connection configuration (with two meters) System with Battery Backup

- (A) Solar Meter (unidirectional)
(B) Supplier's Net Meter (Bi-directional)



- Note: Provision will be kept for
- (i) Disconnection of Grid by isolating device 'C' in case of grid failure (anti-islanding provis
 - (ii) Disconnection of Battery Supply by isolating device 'D' when grid is connected (to prev

Annexure Hi

Net Metering Connection Agreement

This Agreement is made and entered into at (location) _____ on this (date) ____ day of (month) ____[^]between
 The Eligible Consumer, _____ residing at
 _____ (address) _____ as first party

AND

_____ Distribution Licensee (herein after called as Discom) and having its registered office at
 _____ (address) _____ as second party of the agreement.

Whereas, the eligible consumer has taken the responsibility to set up or facilitate the requisite Photovoltaic system and injection system into the Discom's grid
 And whereas, the Discom agrees to benefit the eligible consumer for the electricity generated and as per conditions of this agreement and net-metering regulations.

Both the party hereby agrees to as follows:

1. Eligibility

1.1 Eligible consumer is required to be aware, in advance, of the standards and conditions his system has to meet for being integrated into grid/distribution system.

1.2 Eligible consumer agrees that connection of Photovoltaic system to Discom's distribution system shall be bound by requirements of state Distribution Code and/or Discom's conditions of service. The grid shall continue to perform with specified reliability, security and quality as per the Central Electricity Authority Technical Standards for Connectivity of Distributed Generated Resources Regulations, 2014' of the Central Electricity Authority as amended from time to time.

1.3 The Eligible consumer shall also agree to conform with the specifications and standards applicable to the solar pv systems as may be prescribed by the Ministry New and Renewable Energy sources Govt, of India from time to time.

2. Technical and Interconnection Requirements

2.1 Eligible consumer agrees that he has installed or will install, prior to connection of Photovoltaic system to Discom's distribution system, an isolation device (both automatic and inbuilt within inverter and external manual relays) and agrees for the Discom to have access to and operation of this, if required, for repair and maintenance of the distribution system.

2.2 Eligible consumer agrees that in case of a power outage on Discom's system, photovoltaic system will shut down, unless special transfer and isolating capabilities have been installed on photovoltaic system.

2.3 All the equipment connected to distribution system must be complaint with relevant international (IEEE/IEC) or Indian standards (BIS) and installations of electrical equipment must comply with Indian Electricity rules, 1956 and Central Electricity Authority (Measures of Safety and Electricity Supply) Regulations, 2010.

2.4 Eligible consumer agrees that Discom will specify the interface/inter-connection point and metering point.

2.5 Eligible consumer agrees to adhere to following power quality measures as per International or Indian standards and/or other such measures provided by Commission/Discom.

- a. Harmonic current: Harmonic current injections from a generating station shall not exceed the limits specified in IEEE 519.
- b. Synchronization: Photovoltaic system must be equipped with a grid frequency synchronization device.
- c. Voltage: The voltage-operating window should minimise nuisance tripping and should be under operating range of 80% to 110% of the nominal connected voltage. Beyond a clearing time of 2 seconds, the Photovoltaic system must isolate itself from the grid.
- d. Flicker: Operation of Photovoltaic system shouldn't cause voltage flicker in excess of the limits stated in the relevant sections of IEC standards or other equivalent Indian standards, if any.
- e. Frequency: When the Distribution system frequency deviates outside the specified conditions (50.5 Hz on upper side and 47.5 Hz on lower side), the Photovoltaic system shouldn't energize the grid and should shift to island mode.
- f. DC Injection: Photovoltaic system should not inject DC power more than 0.5% of full rated output at the interconnection point or 1 % of rated inverter output current into distribution system under any operating conditions.
- g. Power Factor: While the output of the inverter is greater than 50%, a lagging power factor of greater than 0.9 should operate.
- h. Islanding and Disconnection: The Photovoltaic system in the event of voltage or frequency variations must island/disconnect itself within IEC standard on stipulated period.
- i. Overload and Overheat: The inverter should have the facility to automatically switch off in case of overload or overheating and should restart when normal conditions are restored.
- j. Paralleling device: Paralleling device of Photovoltaic system shall be capable of withstanding 220% of the nominal voltage at the interconnection point

2.6 Eligible consumer agrees to furnish all the data such as voltage, frequency, and breaker, isolator position in his system, as and when required by the Discom. He may also try to provide facilities for online transfer of the real time operational data.

2.7 The Eligible consumers shall not use a 'hybrid inverter' i.e a 'solar inverter' having provision of feeding power from the grid

3. Safety

3.1 Eligible consumer shall comply with the provisions of Central Electricity Authority (Measures Relating to Safety and Electricity Supply) Regulations 2010 and relevant provisions of National Electrical Code particularly those related to Solar PV installations.

3.2 Eligible consumer agrees that the design, installation, maintenance and operation of the photovoltaic system are performed in a manner conducive to the safety of the photovoltaic system as well as the Discom's distribution system.

3.3 Due to Discom's obligation to maintain a safe and reliable distribution system, eligible consumer agrees that if it is determined by Discom that eligible consumer's photovoltaic system either causes damage to and/or produces adverse effects affecting other distribution systems'

consumers or Discom's assets, eligible consumer will have to disconnect photovoltaic svstem

4. Clearances and Approvals

4.1 The eligible consumer agrees to attain all the necessary approvals and clearances dtSrnysS 9fdCOmeCade,atfd)bef_o_reC_onneC_W* Phoi^ysTem to the

5. Access and Disconnection

Sikar 2^ss±rti SSR* and .ibcTM ne*x9 means .>*-*

5.2 In emergency or outage situation, where there is no access to a disconnectina means both **automate** and manual, such as a switch or breaker, Discom may disconnect slStofhe

6. Liabilities

6.11 Eligible consumer and Discom will indemnify each other for damages or adverse effect* from

consequential, incidental or special damages, including, but not limitedTo pun^texemoiary damages, whether any of the said liability, loss or damages arise in contact or otherwTse 7"

7. Commercial Settlement

8. Connection Costs

a 1 The eligible consumer shall bare all costs related to setting up of photovoltaic system includina **metering** and .nterconnection costs. The eligible consumer agrees to pay^hSualcort i ZT^X± P9radeSt0thSdiStribUtio_nfaCiliti6SreqU_rnd_*oConnec5 ASSff^L, in

fhee^ooST^ 6qUPmentindUdin9theiSOlet_o_rSi met6S6C, arealsotObabome^ 9. Termination

can terminate agreement at any time by providing Discom with 90 days

9.2 Discom has the right to terminate Agreement on 30 days prior written notice If elinihi*